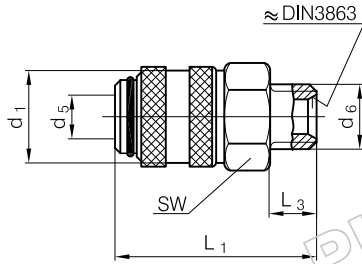


2510 

KERN PART SERVER 20 30



Mat.: Ms

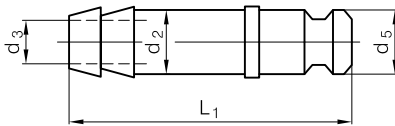
 2510 - d<sub>5</sub>

d <sub>1</sub>	L <sub>1</sub>	L <sub>3</sub>	SW	bar	°C	d <sub>6</sub>	d <sub>5</sub>
18	38	9	17	15	200	G1/4A	9
23	38	9	22	10	Viton	G3/8A	13




2520 

KERN PART SERVER 20 30



Mat.: Ms

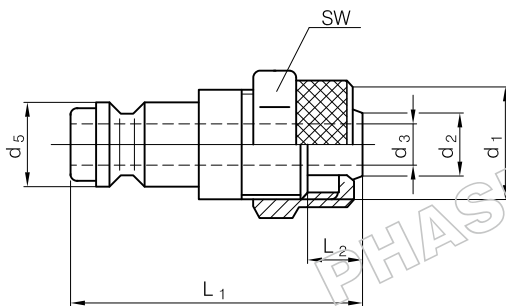
 2520 - d<sub>5</sub> x d<sub>2</sub>

d <sub>3</sub>	L <sub>1</sub>	d <sub>5</sub>	d <sub>2</sub>
6	38	9	10
9	41	13,5	10
			13
13	61	19	13
			19



2521 

KERN PART SERVER 20 30



Mat.: Ms

 2521 - d<sub>2</sub>

d <sub>1</sub>	L <sub>1</sub>	L <sub>2</sub>	SW	d <sub>5</sub>	d <sub>2</sub>
M12 x 1	32	6	14	9	6

