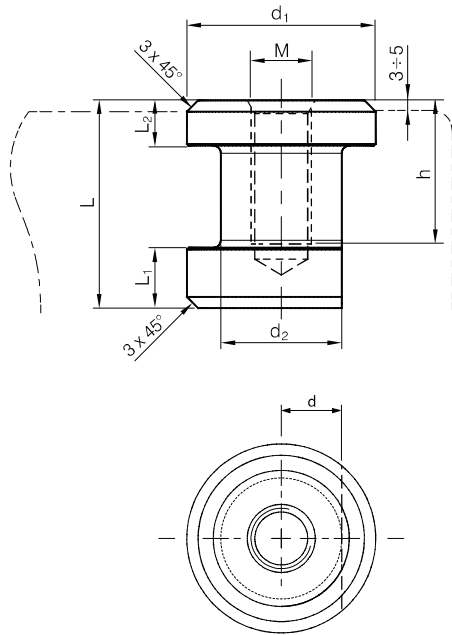


**3455.5**

**FCA - FORD**

Gewindeeinsätze Aus Stahl  
Threaded Steel Inserts  
Inserti filettati in acciaio

Centrinni elementi  
Ocelová závitová vložka  
Centrinni elementi



**3455.5 - M**

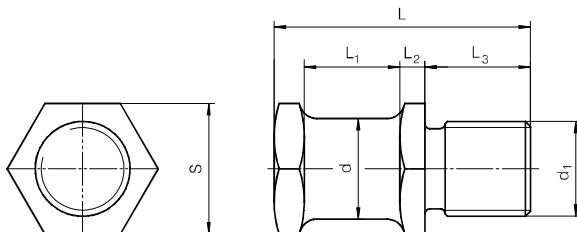
Max. load. 1 point (kg)	Max. load. 2÷4 point (kg)	L	d	d <sub>2</sub>	L <sub>1</sub>	L <sub>2</sub>	h	d <sub>1</sub>	M
1000	2000	55	16	32	16	112	42	50	M16
2100	4200	65	18	36	16	12	47	65	M20
2800	5600	75	20	40	16	12	57	65	M22
3000	6000	75	20	40	16	12	57	65	M24
5000	10000	90	30	60	20	20	67	85	M30
6500	13000	100	40	80	22	22	77	107	M36
7200	14400	130	40	80	25	25	95	107	M42
8000	16000	150	40	80	30	30	110	107	M48

**3456**

**VDI 3366**

Tragschrauben  
Lifter studs  
Perni di sollevamento

Dvižni elementi  
Zdvihací čepy  
Vijaki za podizanje tereta



**3456 - d<sub>1</sub>**

Max. load. (kg)	Max. Die Weight (kg)	d ±0,1	L ±1	L <sub>1</sub>	L <sub>2</sub>	L <sub>3</sub> ±0,5	s	d <sub>1</sub>
250	500	16	58	20	5,5	28	24	M16
500	1000	20	68	22	6,5	34	30	M20
1000	2000	25	78	25	8	38	36	M24
1500	3000	32	95	32	10	45	41	M30
2500	5000	40	118	40	12	56	50	M36